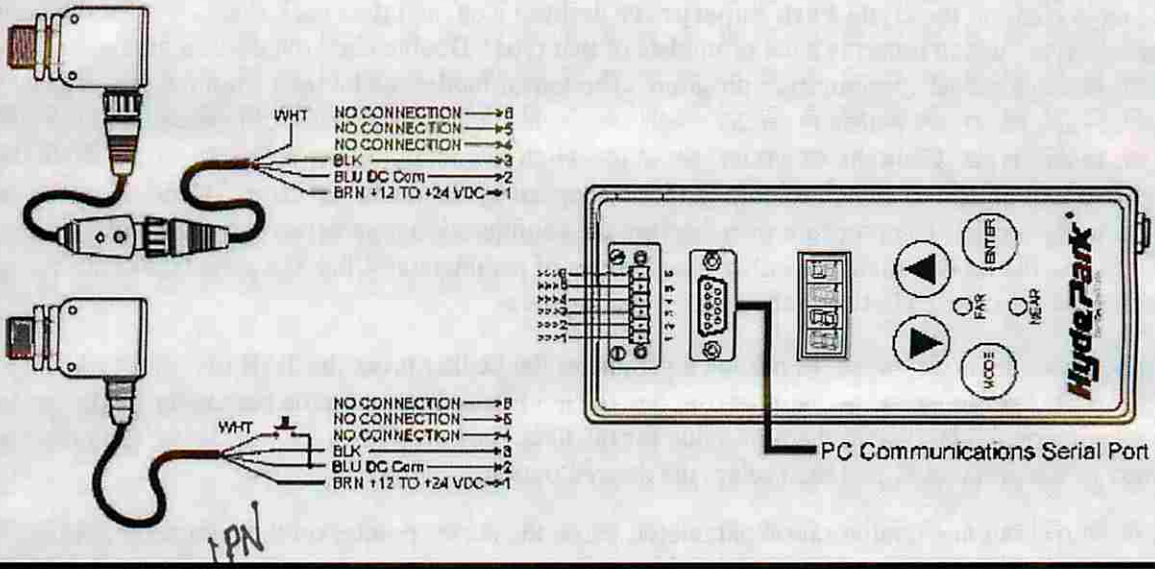


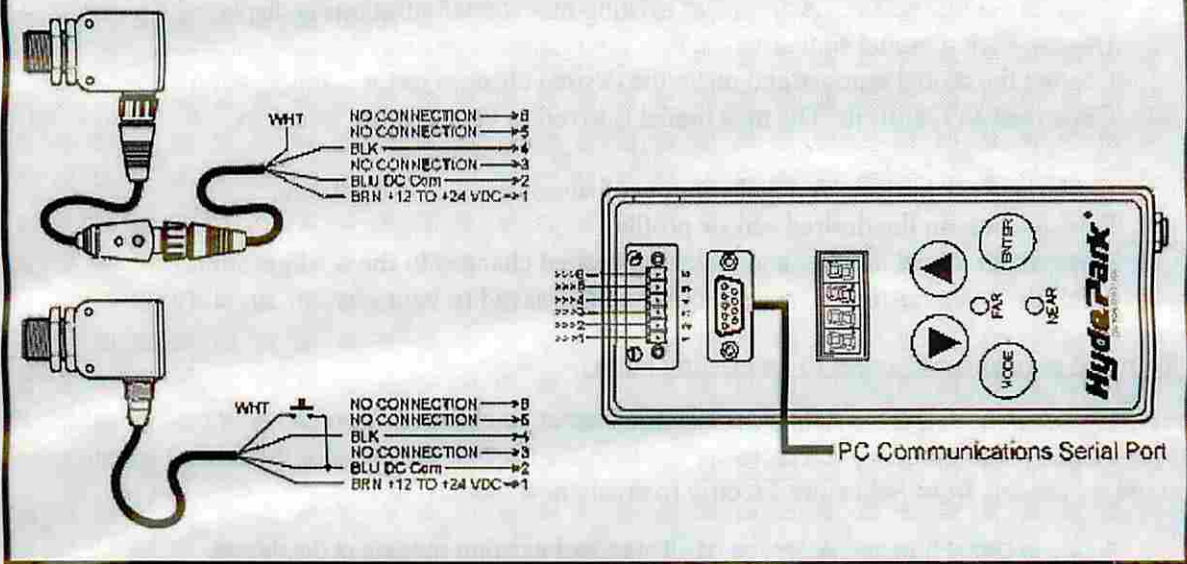
VOLTAGE
Current
PNP

Virtu™ VC1-V / VC1-C / VC1-P Wiring to AC441A



NPN

Virtu™ VC1-N Wiring to AC441A



Editing a Sensor Configuration

Double click on the **Hyde Park Superprox+** desktop icon, and then click the button for the desired sensor type, which presents a list of models of that type. Double click the desired model, which runs that sensor's model configuration program. The sensor model can be read from the sensor's label. Next click the **OPEN** button from the control bar, which displays a screen of models that are valid for that sensor type. Click the **CUSTOM** button to switch to configurations defined by you. Click the **STANDARD** button to switch to configuration supplied by Schneider Electric. Double click the model you wish to edit. The program then displays the configuration parameters for that configuration. Based on the model, there are either 2 or 3 pages of parameters. Click the page tabs under the model description to switch between the pages of parameters.

When a model is displayed, to change a parameter field either press the **TAB** or **<shift>TAB** key until the desired parameter is highlighted, or click the left mouse button on the parameter field. For text and numeric fields, type in the new value for the field. For dropdown list selections, click the arrow next to the parameter, and then select the desired option.

For help about any configuration parameter, pause the cursor pointer on the parameter field. A popup window appears which explains the configuration parameter.

To make a new model

1. Click the **OPEN** button. A screen of existing model configurations is displayed.
2. Double click a model similar to the new configuration desired.
3. Change the model number and make the desired changes to the configuration.
4. Click the **SAVE** button. The new model is saved to your custom directory.

or

1. Click the **NEW** button. A small window of sensor profiles is displayed.
2. Double click on the desired sensor profile.
3. Change the model number and make the desired changes to the configuration.
4. Click the **SAVE** button. The new model will be saved to your custom directory.

To make permanent changes to an existing model

The *Standard* models from Schneider Electric cannot be changed. You can only change models that you created. The models you create are saved in the *Custom* directory of models. You can use the standard models from Schneider Electric to create new models.

1. Click the **OPEN** button. A screen of all standard existing models is displayed.
2. Click the **CUSTOM** button to display the custom models. A screen of custom models is displayed.
3. Double click the model to change.
4. Make the desired changes to the model.
5. Click the **SAVE** button. Click **OK** to overwrite the current model.

To make a one time change to a model

1. Click the **OPEN** button. A screen of models is displayed.
2. Double click the model to program from either the *Standard* or *Custom* models.
4. Make the desired changes to the model.
5. Click the **PROG** button to program the changed model. (See programming Sensor above)