

SS2

Sound Level Transmitter

extended range

45-134db



#### FEATURES

SS1 - Three wire 0-5V version and Two wire current loop (4-20 mA) version

SS2 - Three wire 0-5V and 420mA versions

SS1 - 1/2" threaded PVC housing - 2" long

SS2 - 7/8" threaded PVC housing - 4" long

Low cost sound or noise measurement for PLCs and control systems

Useful in security systems, remote monitoring, detecting mechanical failures or malfunction.

Comes with two mounting nuts

+/- 4% accuracy

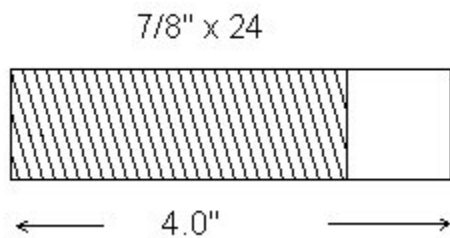
Reverse polarity protected



SS2

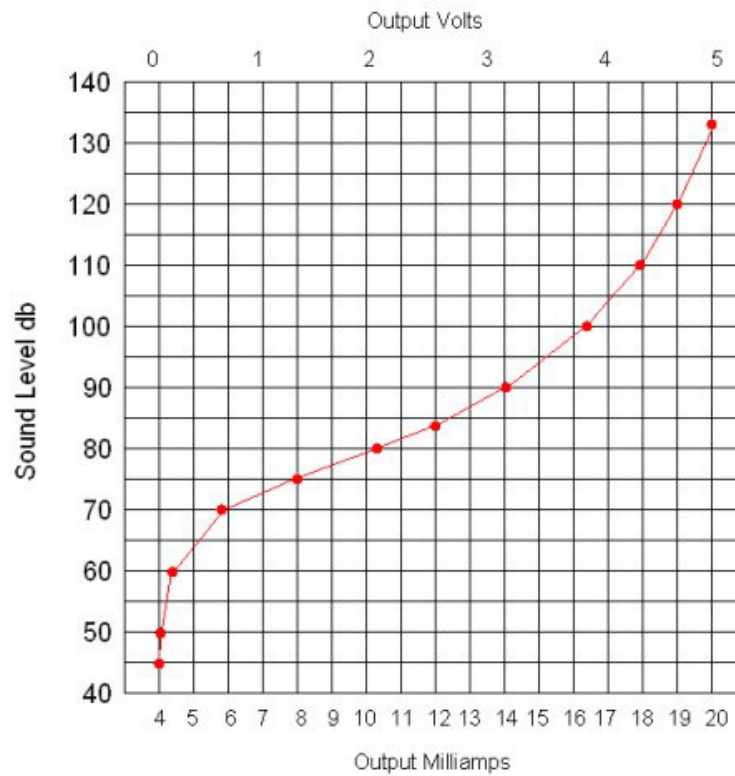
PVC 4" long 7/8 x 24 threads

## MECHANICAL



PVC 4" long 7/8 x 24 threads

## OUTPUT



POB 1778 Greer, SC 29652  
414 West Poinsett Street Greer, SC 29650

[mike@traskinst.com](mailto:mike@traskinst.com)

[www.traskinst.com](http://www.traskinst.com)

Ph: 864-848-3993

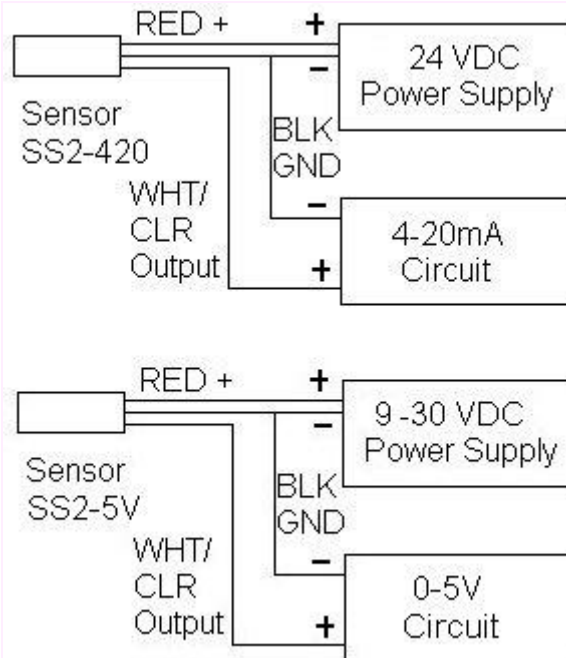
Fax: 864-848-9569

WIRING

SS2

Extended

Range



SPECIFICATIONS	SS1	SS2
RANGE	65 to 100 db	45 to 134db
ACCURACY	+/- 4%	+/- 4%
OUTPUT Current Loop	Current loop (4-20mA) two wire 20mA = 100db	20mA = 134db
OUTPUT Voltage (three wire)	0-5V three wire 5V = 100 db	5V = 134db
MOUNTING HOLE	1/2"	7/8"
THREADS	1/2" x 13	7/8" x 24
HOUSING	PVC IP34	PVC IP34

Part Number

SS2-5V (0-5V version)

Design considerations

POB 1778 Greer, SC 29652  
 414 West Poinsett Street Greer, SC 29650

[mike@traskinst.com](mailto:mike@traskinst.com)

[www.traskinst.com](http://www.traskinst.com)

Ph: 864-848-3993

Fax: 864-848-9569

The SS1 and SS2 are a low cost way to input sound or noise information into a PLC, process control meter, distributed control system (DCS), or other industrial control system. The SS1 can be mounted through any 1/2" hole and the two wires connected to an analog input card or other two wire 4-20 mA current loop circuit.

The SS1 and SS2 are designed for low cost applications where standard accuracy is acceptable.

For the SS1 65db was selected for the lower limit to avoid detecting ambient background noise.

Because the SS1 has a PVC housing, care should be taken to ensure that the operating environment does not get so hot that the PVC housing will soften. This may happen at temperatures around 180 to 190 degrees F.

The SS1 or SS2 should not be used as the sole sensing element in critical equipment or safety applications.

POB 1778 Greer, SC 29652  
414 West Poinsett Street Greer, SC 29650  
[mike@traskinst.com](mailto:mike@traskinst.com)  
[www.traskinst.com](http://www.traskinst.com)

Ph: 864-848-3993

Fax: 864-848-9569