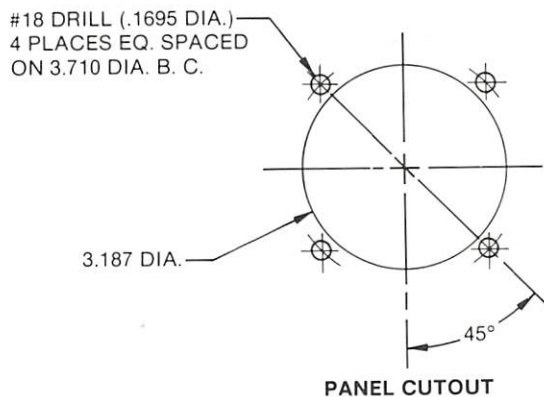
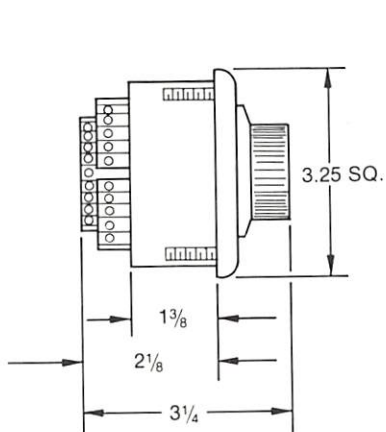
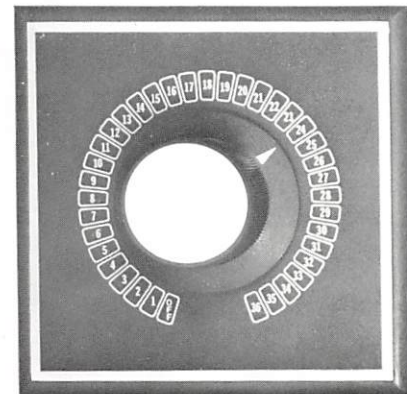
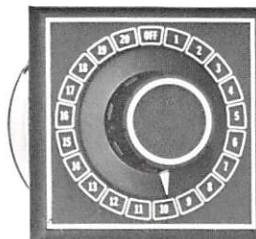
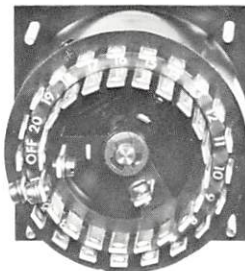
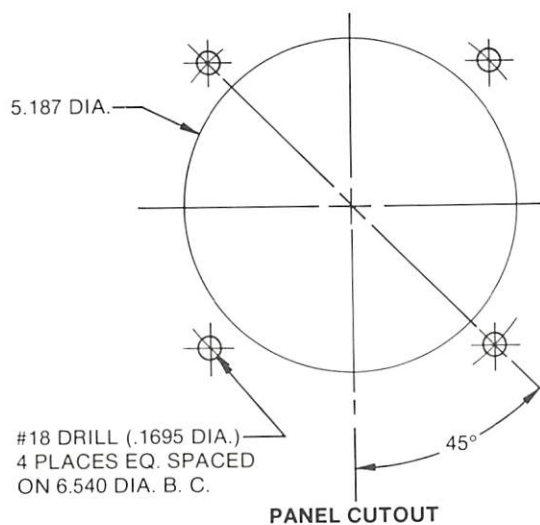
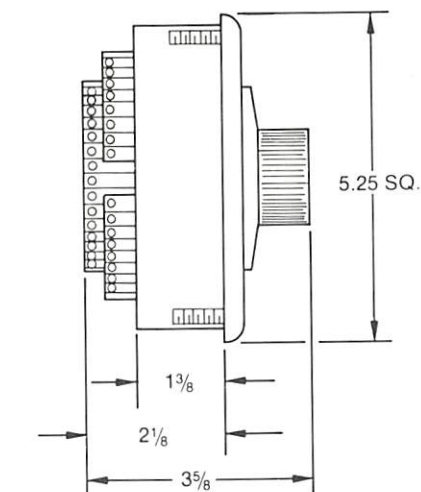


CONNECTORS SELECTOR SWITCHES

- Available in 2 to 40 positions
- 2 Pole and 3 Pole circuits with "OFF" position
- Silver plated blades and contacts with self-cleaning wiper action and low contact resistance
- Terminals are silver plated brass numbered circuits with polarity identification
- "OFF" position has terminals available for shorting input circuit when using it with a digital meter (Not available on 3-Pole)
- High impact GE Noryl™ case
- Break before make SW3-2 through SW3-10
- Make before break SW3-12 through SW5-40 and SWT-6 through SWT-36
- Pistol grip knob is available @ \$10. (suffix PG) i.e. SW3-10-PG @ 113.+10 = \$123.



NO. POS.		CODE NO.	PRICE
2	2 Pole	SW3-2	\$ 95.
3		SW3-3	97.
4		SW3-4	103.
5		SW3-5	105.
6		SW3-6	108.
8		SW3-8	110
10		SW3-10	113.
12		SW3-12	119.
14		SW3-14	124.
16		SW3-16	128.
18		SW3-18	133.
20	SW3-20	136.	



NO. POS.		CODE NO.	PRICE
24		SW5-24	\$145.
28		SW5-28	154.
30		SW5-30	158.
32		SW5-32	162.
36		SW5-36	171.
40		SW5-40	185.
6		SWT-6	111.
12		SWT-12	131.
18		SWT-18	151.
24		SWT-24	168.
28		SWT-28	181.
32	SWT-32	195.	
36	SWT-36	208.	



MANUFACTURING CORPORATION 12404 TRISKETT ROAD CLEVELAND, OHIO 44111

(216) 941-6200
FAX: (216) 941-6207