

DESCRIPTION

The Model M230 Differential Pressure Transmitter is a highly accurate differential pressure transmitter that incorporates a capacitive technology to produce a linear electronic signal proportional to the differential pressure. It will measure differential pressure in unidirectional applications as much as 100 psi and bidirectional applications as much as 50 psi. The stainless steel wetted parts and elastomer seals make this unit ideal for both liquids and gases. The NEMA 4 (IP65) case keeps the internal electronics protected from the environment.

FEATURES

- 0.25% accuracy
- NEMA 4 (IP65) protection
- Stainless steel wetted parts
- Elastomer seals
- High proof pressure
- Current or voltage outputs
- Mounting bracket included

setra



M230-025PD-C



SPECIFICATIONS

Supply Voltage	
Current models	Minimum 9 VDC + (0.02 x circuit resistance) Maximum 30 VDC + (0.004 x circuit resistance)
Voltage Models	
0-5 VDC	9-30 VDC
0-10 VDC	13-30 VDC,
Signal Output	4-20 mA, 0-10 VDC, 0-5 VDC
Maximum Output	
Impedance (mA)	750Ω @ 24 VDC
Minimum Output	
Impedance (VDC)	≥5000Ω
Accuracy	±0.25% FS
Non-repeatability	0.05% FS
Non-linearity	±0.20% FS
Hysteresis	0.10% FS
Compensated Temperature	
Range	30° to 150°F (-1° to 65°C)
Thermal Effect	Zero/span shift 2.0% FS/100°F (1.8% FS/50°C)

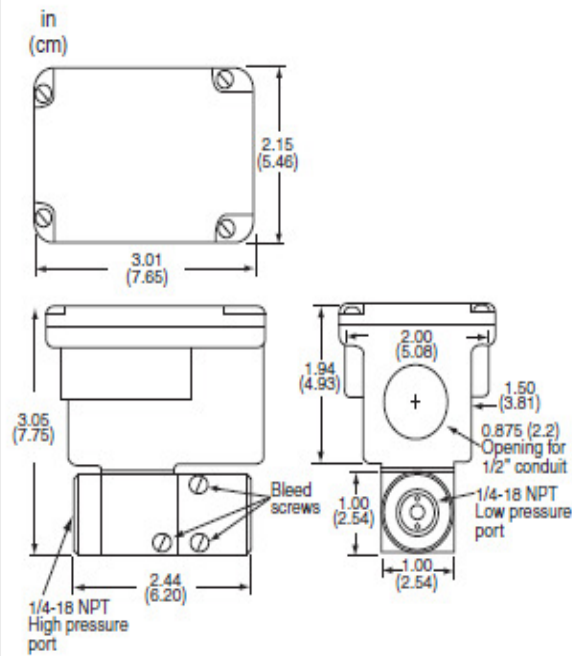
Maximum Operating Pressure	250 psig (1723.8 kPa) model dependant
Overpressure	

PROOF PRESSURE (High Side)							
Range		Proof		Range		Proof	
psid	kPa	psid	kPa	psid	kPa	psid	kPa
0-1	6.89	20	137.9	±0.5	±3.45	20	137.9
0-2	13.79	40	275.8	±1	±6.89	40	275.8
0-5	34.47	100	689.5	±2.5	±17.24	100	689.5
0-10	68.95	100	689.5	±5	±34.47	100	689.5
0-25	172.4	250	1723.7	±10	±68.95	200	1379.2
0-50	344.7	250	1723.7	±25	±172.4	250	1723.7
0-100	689.5	250	1723.7	±50	±344.7	250	1723.7

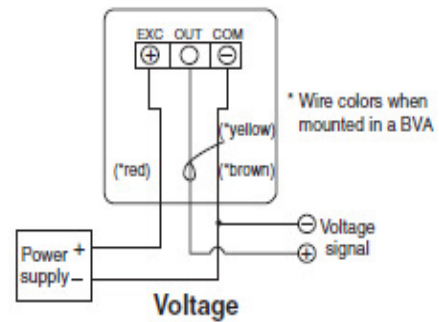
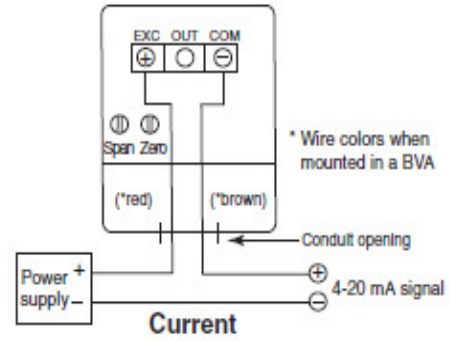
Operating Temperature	0° to 175°F (-18° to 79°C)
Wetted Parts	17-4 PH stainless, 300 Series stainless steel, viton, silicon rings
Storage Temperature	-65° to 250°F (-54° to 121°C)
Enclosure Rating	NEMA 4 (IP65)
Process Connection	1/4-18 FNPT
Approvals	CE
Weight	14.4 oz (0.41 kg)
Warranty	1 year

POB 1778 Greer, SC 29652
 414 West Poinsett Street Greer, SC 29650
mike@traskinst.com

DIMENSIONS



WIRING



ORDERING INFORMATION

MODEL	DESCRIPTION
M230	Differential pressure transmitter
	PRESSURE RANGE psid (kPa)
001PD	0-1.0 (6.90)
002PD	0-2.0 (13.79)
005PD	0-5.0 (34.48)
010PD	0-10.0 (68.95)
025PD	0-25.0 (172.38)
050PD	0-50.0 (344.75)
100PD	0-100.0 (689.50)
0R5PB	±0.5 (±3.45)
001PB	±1.0 (±6.90)
2R5PB	±2.5 (±17.24)
005PB	±5.0 (±34.48)
010PB	±10.0 (±68.95)
025PB	±25.0 (±172.38)
050PB	±50.0 (±344.75)
	OUTPUT
C	4-20 mA
V5	0-5 VDC
V10	0-10 VDC
	OPTIONS
BVA	Bypass valve assembly
3VLV	Three-valve manifold assembly

M230 - 010PD - C Example: M230-10PD-C Differential pressure transmitter ranging from 0-10 psid with a 4-20 mA output

POB 1778 Greer, SC 29652
 414 West Poinsett Street Greer, SC 29650
mike@traskinst.com

Ph: 864-848-3993

www.traskinstrumentation.com

Fax: 864-848-9569