



# Pneumatic Double Acting Automated Ball Valve Package

Series 88  
3-Piece Ball Valve

Direct Mount

Full Port Valve

1500 & 2000 psi WOG  
(by size)

Available 1/4"– 4"

316SS or WCB Body

316SS Ball & Stem

Belleville Washers,  
Double Chevron Packing,  
RTFE Seats Standard

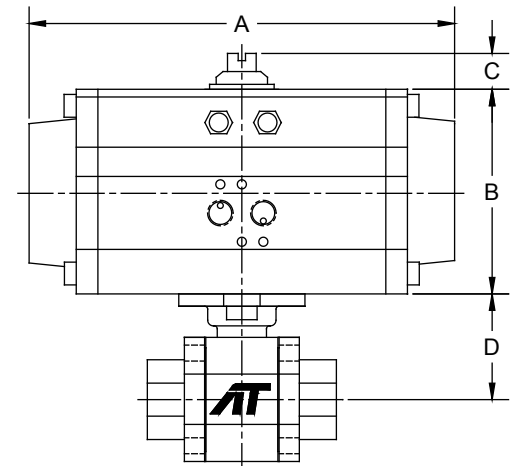
Threaded, SW or BW

### STANDARDS

ANSI	B16.34, B16.25, B1.20.1, B16.11
API	6D, 598
ISO	5211, 5209, 5752, 7/1, 261
MSS	PS25, PS72
BS	5351, 6755-1, 6755-2



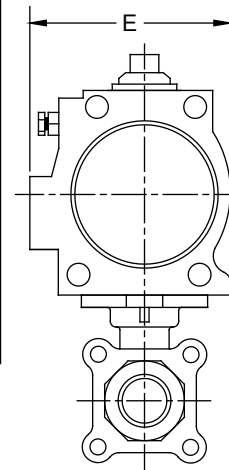
Direct Mount



### DIMENSIONS (IN)

VALVE SIZE	A	B	C	D	E	VALVE Cv
1/4"	5.98	2.76	0.79	1.66	2.58	7
3/8"	5.98	2.76	0.79	1.66	2.58	8
1/2"	5.98	2.76	0.79	1.66	2.58	15
3/4"	7.95	3.43	0.79	1.83	3.29	40
1"	7.95	3.43	0.79	2.31	3.29	70
1-1/4"	7.95	3.43	0.79	2.46	3.29	110
1-1/2"	9.29	4.49	0.79	3.11	4.41	250
2"	9.29	4.49	0.79	3.42	4.41	430
2-1/2"	10.87	4.88	0.79	4.28	4.82	600
3"	11.46	5.28	0.79	4.63	5.20	1100
4"	13.90	6.18	0.79	5.26	6.04	2000

DIMENSIONS SHOWN ARE FOR ASSEMBLIES SIZED FOR 80 PSI SUPPLY



SERIES 88 Direct Mount

SIZED FOR 80 psi AIR SUPPLY	
SIZE	MODEL
1/4"	88-TX-025/TR1D-XX
3/8"	88-TX-038/TR1D-XX
1/2"	88-TX-050/TR1D-XX
3/4"	88-TX-075/2R2D-XX
1"	88-TX-100/2R2D-XX
1-1/4"	88-TX-125/2R2D-XX
1-1/2"	88-TX-150/2R3D-XX
2"	88-TX-200/2R3D-XX
2-1/2"	88-TX-250/2R4D-XX
3"	88-TX-300/2R5D-XX
4"	88-TX-400/2R6D-XX

SIZED FOR 60 psi AIR SUPPLY	
SIZE	MODEL
1/4"	88-TX-025/TR1D-XX
3/8"	88-TX-038/TR1D-XX
1/2"	88-TX-050/TR1D-XX
3/4"	88-TX-075/2R2D-XX
1"	88-TX-100/2R2D-XX
1-1/4"	88-TX-125/2R2D-XX
1-1/2"	88-TX-150/2R3D-XX
2"	88-TX-200/2R3D-XX
2-1/2"	88-TX-250/2R4D-XX
3"	88-TX-300/2R5D-XX
4"	88-TX-400/2R6D-XX

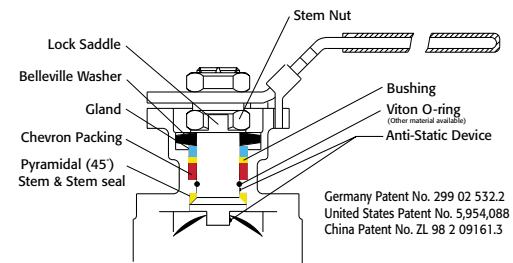
### OPTIONS

DESCRIPTION	PART NO. SUFFIX	DESCRIPTION	PART NO. SUFFIX
NEMA 4 Solenoid	(A)	NEMA 4 Limit Switch (2) spdt	(A)
NEMA 7 Solenoid	(B)	NEMA 7 Limit Switch (2) spdt	(B)

Other options available - call for details  
Actuators are sized based on clean/clear fluid.

See valve part number matrix for complete part number and options.

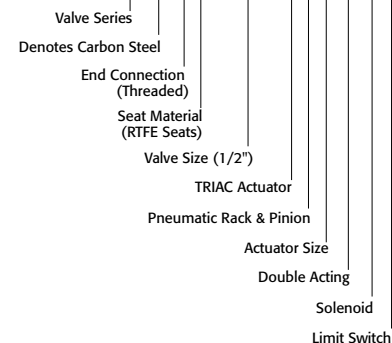
88DA-20130430  
Copyright 2013 A-T Controls, Inc.



Germany Patent No. 299 02 532.2  
United States Patent No. 5,954,088  
China Patent No. ZL 98 2 09161.3

### SAMPLE PART #

**88C-TX-050/2R2D-XX**



9955 International Blvd.  
Cincinnati, Ohio 45246  
www.atcontrols.com

PHONE (513) 247-5465  
FAX (513) 247-5462  
sales@atcontrols.com