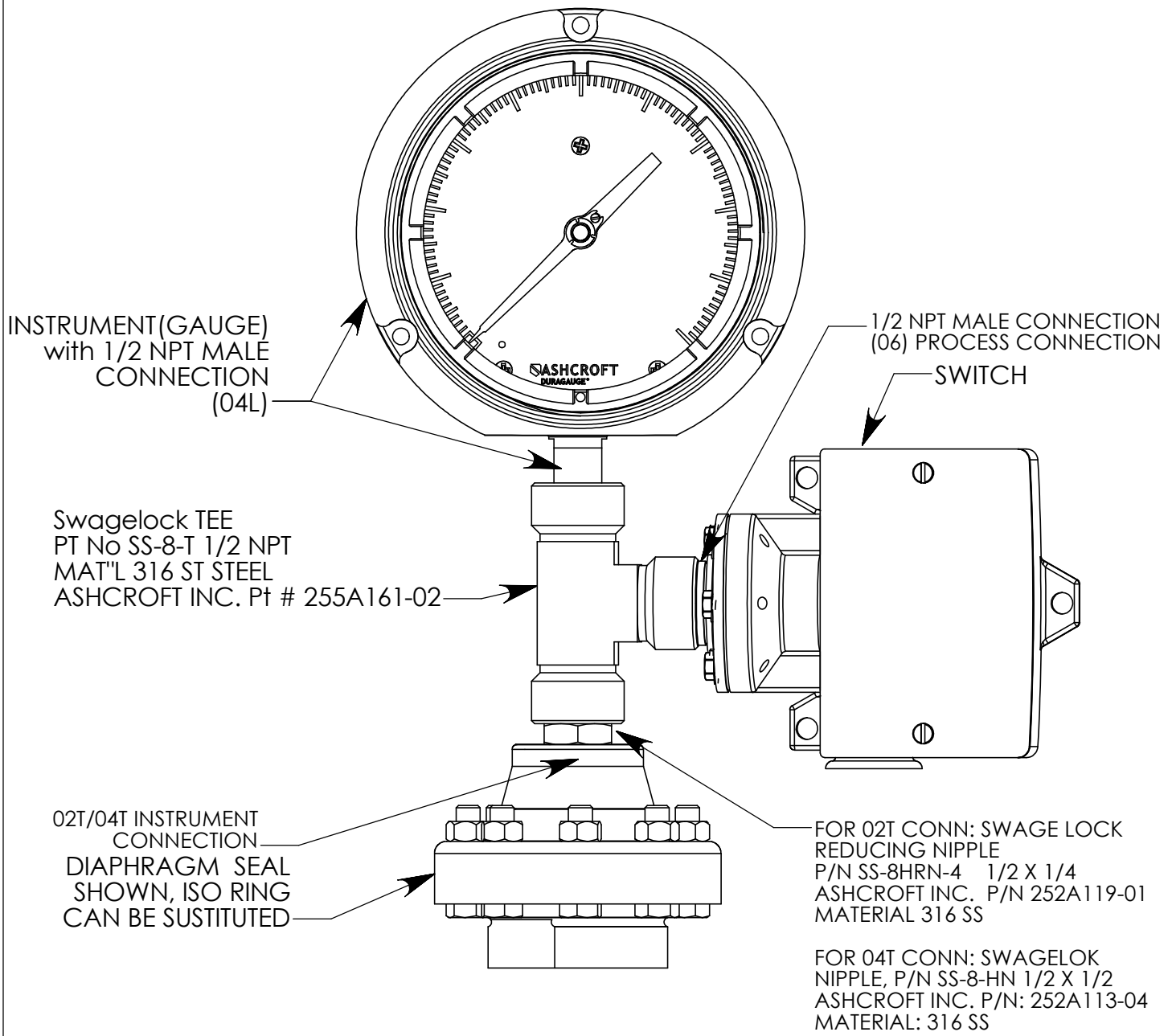


This drawing includes confidential information which is the property of ASHCROFT INC. This copy is loaned for a specific purpose, with the understanding that it will not be reproduced or used for any other purpose or disclosed to others, and it will be returned on demand



**IMPORTANT: DIMENSIONS WITHIN OVAL AND NOTES IDENTIFIED WITH " \* " REQUIRE MANDATORY INSPECTION.**

REV	ECR	DESCRIPTION	BY	DATE
D	7696	ADDED 04T DESCRIPTION, ADDED NIPPLE P/N 252A113-04, REVISED TITLE BLOCK TO INCLUDE BOTH 02T & 04T T.H. CONN.	WGM	12/2/2014

DIMENSIONAL TOLERANCES UNLESS OTHERWISE SPECIFIED

TOLERANCES ARE:

FRACTIONS DECIMALS ANGLES

3 place decimal .000 -/+ .007  
2 place decimal .00 -/+ .015  
1 place decimal .0 -/+ .030  
angle -/+ 1 deg  
chamfer -/+ 5 deg  
unless specified all dimensions are in inches

DO NOT SCALE DRAWING		
APPROVALS		DATE
DRAWN	JB & TS	9/20/00
CHECKED	JC	9/28/00
ENGR.	JB	10/02/00
ISSUED		

**XH5**

"XH5" Variation-- Gauge and Switch on Diaphragm Seal Top Housing Conn: 1/4 or 1/2 NPT

SIZE A	CODE	DWG. NO. <b>XH5</b>	REV. <b>D</b>
SCALE 1:4		SHEET 1 of 1	