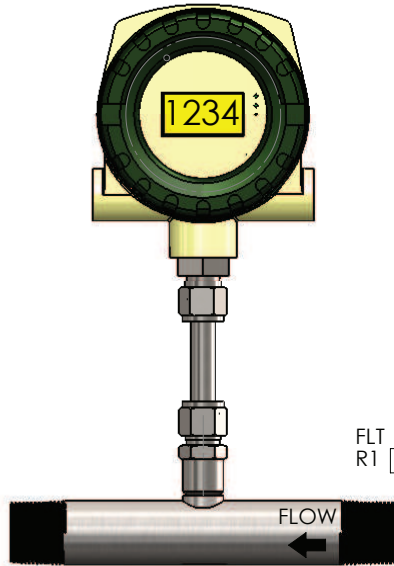
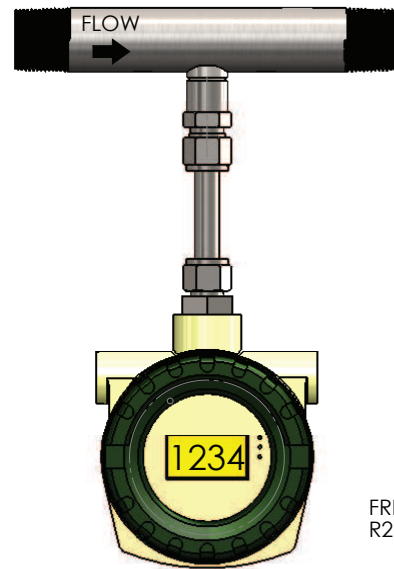


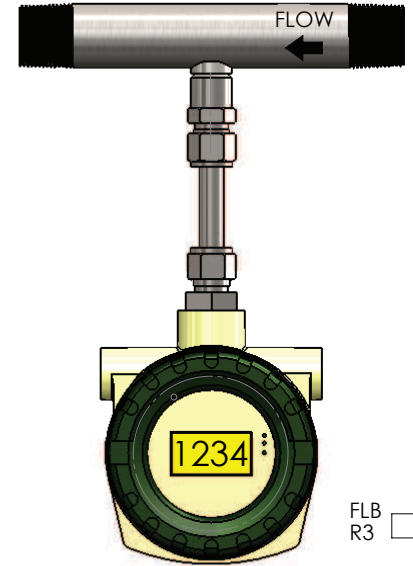
FRT
STANDARD



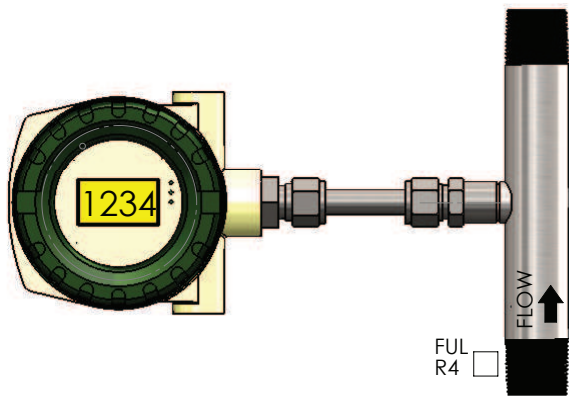
FLT
R1



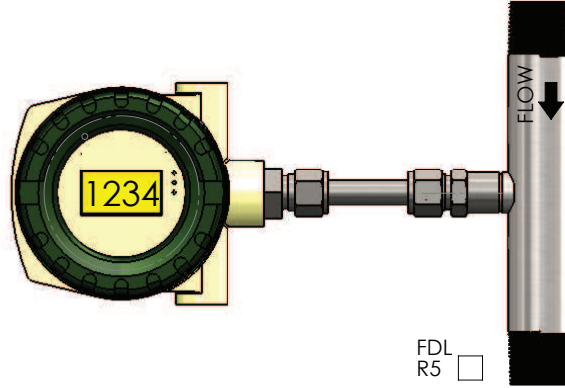
FRB
R2



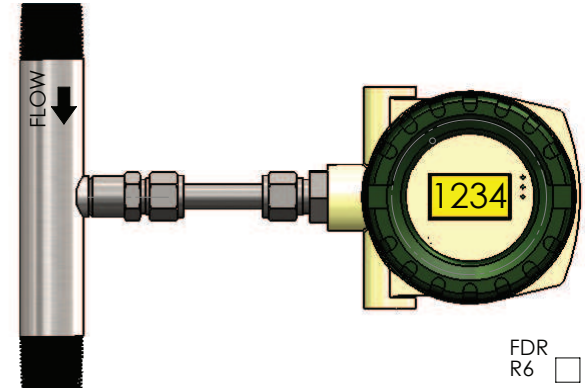
FLB
R3



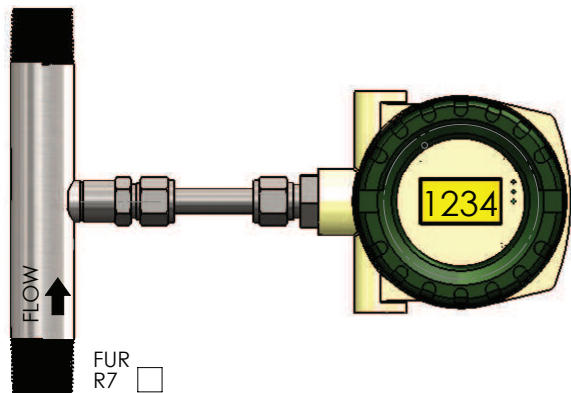
FUL
R4



FDL
R5



FDR
R6



FUR
R7

FLOW METER ORIENTATION

NOTE: UNLESS OTHERWISE SPECIFIED
 1. THIS DRAWING IS GENERIC IN NATURE. FOR SPECIFIC MODEL TYPE, ORIENTATION, CUSTOMER PROCESS, REFER TO SAGE METERING MANUAL
 2. IN REMOTE ELECTRONIC ORIENTATION, THE LOCAL ENCLOSURE WILL BE ORIENTED AS SHOWN WITH SOLID COVER ON BOTH SIDES. INTERCONNECTING TERMINALS INSIDE.



OPTION	CUSTOMER CODE SELECTION	FLOW DIRECTION AND METER MOUNTING LOCATION (OPTION DESCRIPTION)
FRT	STANDARD	STANDARD FLOW AND METER INSTALLATION
FLT	R1	FLOW LEFT, TOP MOUNT
FRB	R2	FLOW RIGHT, BOTTOM MOUNT
FLB	R3	FLOW LEFT, BOTTOM MOUNT
FUL	R4	FLOW UP, LEFT MOUNT
FDL	R5	FLOW DOWN, LEFT MOUNT
FDR	R6	FLOW DOWN, RIGHT MOUNT
FUR	R7	FLOW UP, RIGHT MOUNT