

AT/ATR-TH SERIES

AC Current Transducer

AT/ATR-TH Series Current Transducers are the latest product innovation. The large, easy to install triple aperture solid core design allows for quick installation for monitoring a three phase load: Motor, machine or building. Just thread the conductors through the sensing windows (apertures) and reconnect on the other side. The transducer outputs are powered from an excitation voltage of around 24 VDC, isolated from the monitored circuit.

The four outputs are proportional to the AC current in each phase, and an average of the three. Each are available at any time.

The sensor mounts on a back panel or a DIN rail, and is designed to accommodate wire sizes for loads up to 200 amps.

Applications

Monitor Large Machines

- Detect over or under current conditions before they cause break downs, or interlock one process with another.

Water Delivery and Treatment

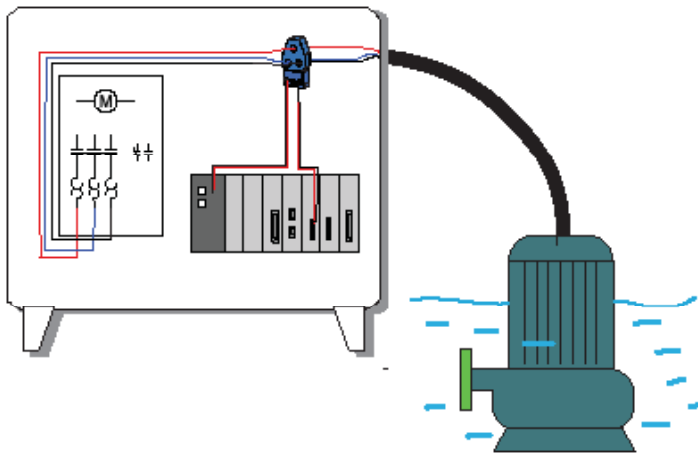
- Detect open discharge lines
- Sense clogged filters or blocked intake to pumps.
- Measure increased current to show failing bearings or pump impeller cavitation.

Generators

- Shed noncritical loads when demand reaches a set level.

Load Imbalance

- Motor current draw should be nearly equal in all three phases, and a difference of 10% signifies trouble.



Features

4-20mA Analog Signal Proportional to AC Current

- Both average responding and true RMS models available
- Compatible with most automation and control systems.
- One output represents the current in each phase, and a fourth producing a signal proportional to the average of the current in all three phases.

Externally Powered

- Simple and reliable connection

Factory Calibrated and Warranted For Five Years

- Choice of ranges : amps
- Designed for longest life and reliability

Solid-core Case

- Sensing windows provides ample space for single or multiple conductors per phase.

DIN Rail or Panel Mount

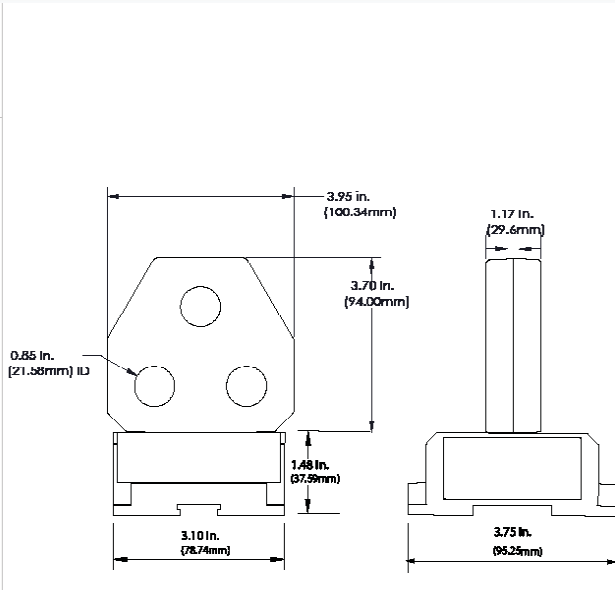
- Simple snap onto DIN rail or attach with screws to a panel for secure mounting.

Designed for UL, CUL and CE Approval

- Accepted around the world.

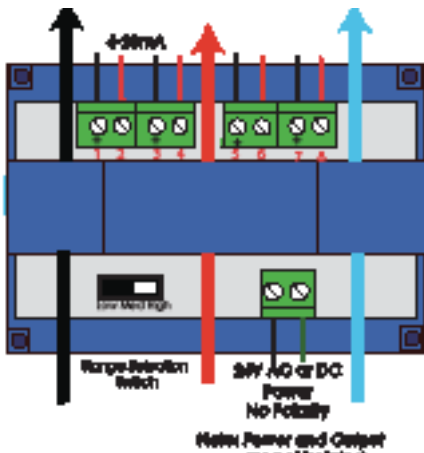
Dimensions

TH Case



Power Supply	24VAC/DC (22-28 Volts)	
Consumption	<2VA	
Output	3 Individual 4-20mA, one 4-20mA average	
Signal Impedance	<500 ohms	
Response Time	650 ms (90% step change)	
Ranges	1	0-10, 15 and 30 A
	2	0-30 , 50, 100A
	3	0-100, 0-150, 0-200 A
	Range selection made with a slide switch	
Isolation Voltage	Tested to 5000VAC	
Frequency Range	50-60 Hz. (Aver.), 6-100Hz (RMS)	
Sensing Aperture	TH Case: 3 Aperture 0.85" (21.6mm) ID	
Case	UL94V-0 Flammability Rated DIN Rail or panel mounting	
Environmental	-4 to 122°F (-20 to 50°C) 0-95% RH, non-condensing	
Listings	Designed to meet UL 508 Industrial Control Equipment (USA & Canada)	

Connection



Ordering Information

Sample Model Number: ATR2-420-24U-TH

AC RMS current transducer, 0-100A range, 4-20mA output, 24VAC/DC, 3 hole solid-core case, DIN rail mounting.

(1)	(2)	(3)	(4)
A	T	4 2 0	2 4 U - T H

(1) Output Type

	Average Responding (Blank)
R	True RMS

(2) Range

1	0-10, 15 and 30 A
2	0-30 , 50 and 100A
3	0-100, 150 and 200 A

(3) Output Type

420	4-20mA , 3 individual and one average of the three
-----	--

(4) Power Supply

24U	24VDC External Powered
-----	------------------------

(5) Case Style

TH	3 Hole Solid Core, Base Terminals, DIN Rail or panel mounting.
----	--