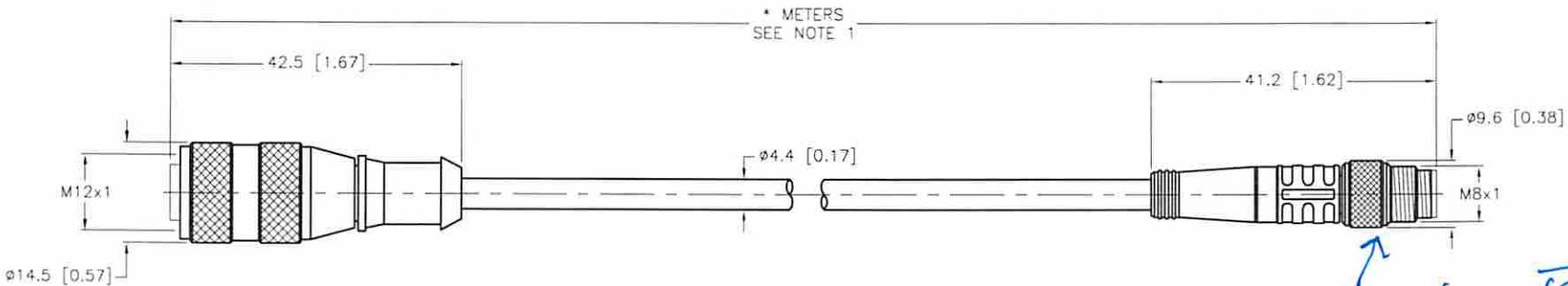


IS THIS THE PIN OUT YOU NEED



This will be Push on Type Connection - NOT THREADED.

CABLE LENGTH	TOLERANCE *
ALL LENGTHS	+ 4% (OR 50mm) OF LENGTH - 0% (OR 0mm) OF LENGTH WHICHEVER IS GREATER
STRIP LENGTH	TOLERANCE *
0-7mm	±0.5mm
8-29mm	±1.0mm
30-49mm	±2.0mm
50-69mm	±3.0mm
70-100mm	±4.0mm
OVER 100mm	±5.0mm

* UNLESS OTHERWISE SPECIFIED

NOTES:
1. "*" INDICATES CABLE LENGTH IN METERS. CONTACT TURCK TO ORDER SPECIFIC LENGTHS.

SOURCE DRAWING - FOR REFERENCE ONLY

D	UPDATE MALE COUPLING NUT	RDS	05/09/13	40191
REV	DESCRIPTION	BY	DATE	ECO NO

RELATED DOCUMENTS	3RD ANGLE PROJECTION	THIS DRAWING IS CONFIDENTIAL AND THE PROPERTY OF TURCK, INC. USE OF THIS DRAWING IS PROHIBITED.
1.		
2.		
3.		
4.		
MATERIAL	SEE SPECIFICATIONS	ALL DIMENS DISPLAYED ON DRAWING ARE REFERENCE.
FINISH	SEE SPECIFICATIONS	
		CONTACT TURCK FOR MORE INFORMATION.



TURCK INC 3000 CAMPUS DRIVE
MINNEAPOLIS, MN 55441
1-800-544-7769

Michael J. Trask
P.O. Box 1778 (29652-1778)
414 West Poinsett Street
Greer, SC 29650
864-848-3993 FX: 864-848-9569
www.traskinstrumentation.com