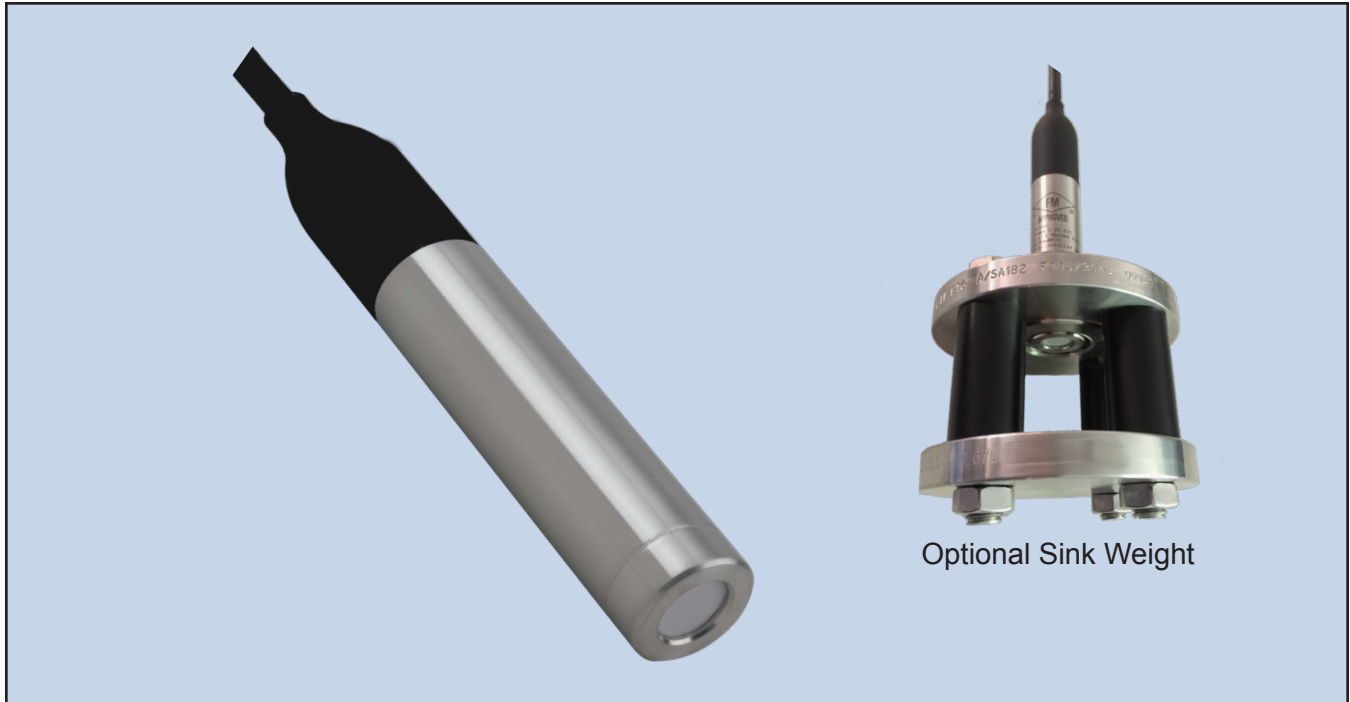


JOWA USA

Submersible Pressure Transmitter / PT2000 Series



• FEATURES

- Level Ranges from 10" WC to 346 ft (105m) H₂O (150psi)
- Accuracy of $\pm 0.1\%$ or $\pm 0.25\%$ FS
- Small Diameter, 1.0"
- Analog 4-20mA Output
- 316L Stainless Steel Construction (Titanium Optional)
- Intrinsic Safety Approved: Class I, Div. 1 Groups A - G
- An optional Sink Weight is available

The PT2000 Series pressure transmitters are designed for use in wastewater and pump/lift station applications. The ceramic sensing element provides a rugged flush open face design which avoids clogging or sludge build up from materials often encountered in wastewater.

The attached electrical cable is custom manufactured to specifications that includes Kevlar® members to prevent errors due to cable elongation as well as a unique water block feature that self-seals in the event of accidental cuts to the cable. The assembly is integrated with supporting electronics in a durable housing constructed of 316L Stainless Steel.

The optional Sink weight SW2000 was developed specifically for this sensor and is replaceable. This provides a "cage" sink weight/anchor for transmitters installed on the bottom of wastewater or sewage lift tanks. Easy installation of the sink-weight to be done by the customer.

Submersible Pressure Transmitter / PT2000 Series

Technical Data:

Operating Ranges:

Gauge: 10" - 150' (0.254 - 45M) H₂O

Excitation: 9 - 30 VDC

Pressure Containment:

Full scale ranges upto 20 psi: 10X

Full scale ranges above 20psi up to 150 psi: 4X

Pressure Media: Fluids compatible with SS316L or Titanium and Delrin® polyurethane.

Output Current: 4-20mA (two-wire configuration).

Zero Offset: ±0.20mA.

Temperature Limits:

Compensated: 30° to +85°F (-2° to 30°C)

Operating: -10° to +175°F (-20° to 80°C)

Temperature Effects:

High accuracy (±0.1%)

±0.3% TEB for ranges 5 psi and above

±1.0% TEB for ranges below 5 psi

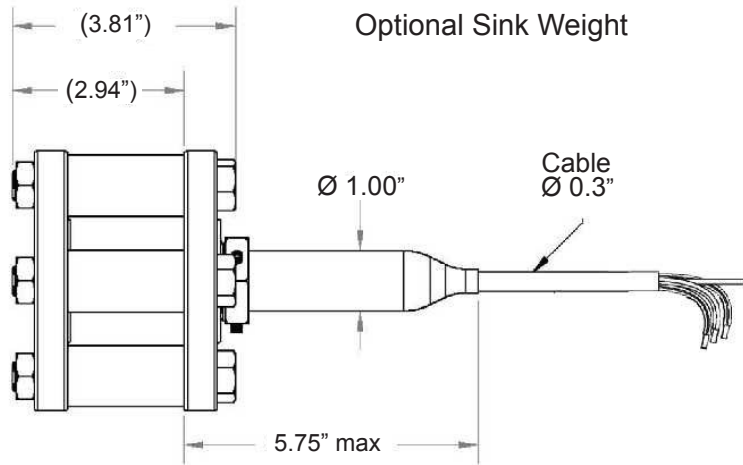
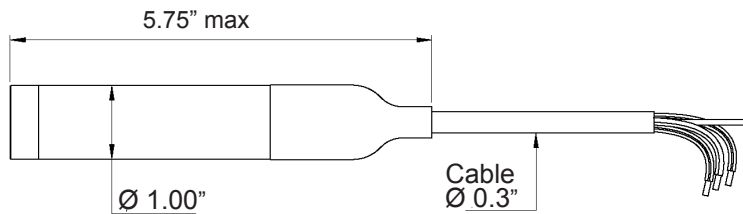
Standard accuracy (±0.25%)

±1.5% TEB for ranges 5 psi and above

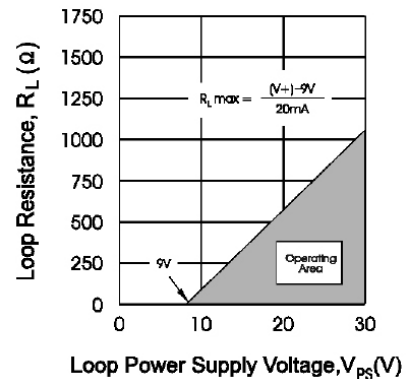
±2.0% TEB for ranges below 5 psi

Safety Classifications: These units are designed for installation in a Class I, Division 1, Groups A, B, C, and D, Class II, Division 1, Groups E, F and G, Class III, Division 1 hazardous location when connected to appropriate intrinsic safety barriers.

Dimensions: Inches (mm)



LOOP RESISTANCE vs. LOOP POWER SUPPLY



Electrical Connection:

Red Positive Supply
 Black Negative Supply
 Green Connected to Case

Disclaimer:

This is not a specification and all information is provided in good faith. Since conditions of use are beyond the control of JOWA USA, Inc., the information contained herein is without warranty, whether expressed, implied or otherwise. Final determination as to the suitability, merchantability or fitness of any information, material or product for a particular purpose, or any patent infringement, is the sole responsibility of the user. JOWA USA, Inc. does not assume liability for injury arising from the use of the information, material or product, and assumes no liability for any damages, whether direct, indirect, consequential, special, incidental, punitive or otherwise. For additional information regarding JOWA USA, Inc.'s limited warranty, refer to the Terms and Conditions that are currently in effect.

JOWA USA

JOWA USA, Inc.

59 Porter Road

Littleton, MA 01460-1431 USA

Tel: +1 978-486-9800

Fax: + 1 978-486-0170

E-mail: info@jowa-usa.com